

The Bizerba logo is displayed in a bold, black, sans-serif font. It is positioned in the upper right quadrant of the image, set against a background of a blue industrial machine component.

BIZERBA

■ ... closer to your business

A small, solid red square is located to the left of the text.

...in a class of its own...

The fully automated Bizerba GLM-E goods labelling machine



With the GLM-E Bizerba offers a labelling machine for the flexible needs of retail, trade and smaller industry. There two versions of the GLM-E for labelling products of varying prices and weights:



... Compact and high performance ...

- GLM-E 40 with a built-in user terminal and a labelling capacity of up to 50 packages per minute
- GLM-E 50/70 with an external user terminal and a labelling capacity of between 50 and 70 packages per minute

The compact fully automated labeller with its high quality aluminium frame is particularly suitable for smaller businesses. It can be used as a stand-alone machine with manual feeding, or integrated into an already existing production line for fully automated price labelling.

The GLM-E is ideal for use in the following areas:

- Meat and poultry industry
- Cheese industry
- Fruit and vegetable trade
- Manufacturing of convenience foods
- Manufacturing of specialist foods
- Retail industry

All-round intelligence

The scope of delivery of the fully automated machines includes three belt units which, depending on requirements, can be separate or joined together.

The GLM-E 40 comprises a top labeller with air-jet application and an integrated quarter VGA display. The GLM-E 50/70 can be connected to two labellers which work with either air-jet or stamp application, and are centrally controlled via an external user terminal.

The GLM-E labellers are enclosed in a robust and hygienic plastic housing. A label roll up to 300mm long can be quickly and simply installed. No matter what type of label you choose, the flexible Bizerba labelling machines offer excellent printing quality.

Remote diagnosis and servicing

Despite its sophisticated technology, your machine may not work as you expect. A combination of email and our e-service team can reduce the outage time to a minimum by quickly and remotely trouble-shooting the problem, usually via the internet. The machine can also be serviced remotely.



Bizerba E-Service/ E-Mail-Service



Top labeller with integrated user terminal

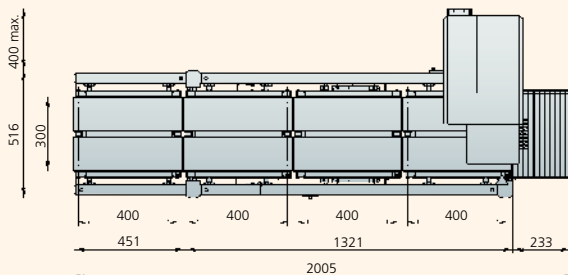
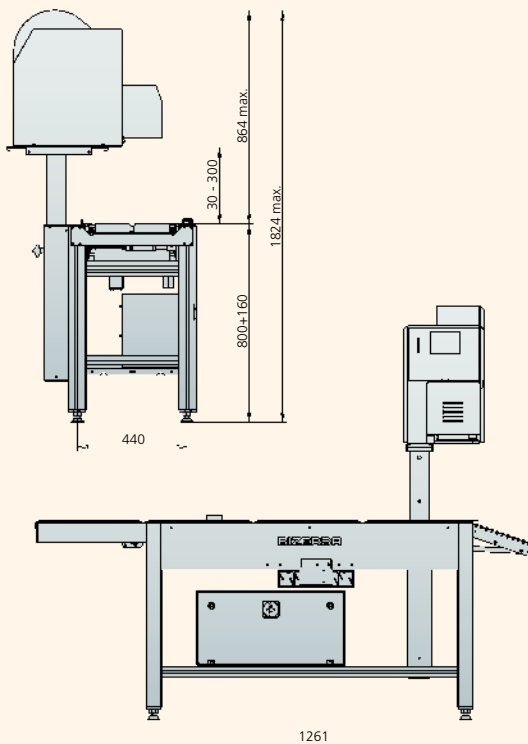
BIZERBA

■ ... closer to your business

GLM-E 40

GLM-E 50 (70)

■ Capacity	max. 50 pack./min (WB 400 mm)	max. 50 pack./min (WB 400 mm) max. 70 pack./min (WB 300 mm)
■ Display/operating unit	¼ VGA integrated in labeller	either GT-6M (¼ VGA external) or GT 12C
■ Labeller	TSG plastic housing	
■ Labelling method	air-jet application	air-jet application, stamp application
■ Number of labellers	max. 1 labeller	max. 2 labellers (e.g. 2T or 1T1B)
■ Label size	min. 30x30 mm (air-jet application), min. 40x40 mm (stamp application), max. 100x100 mm	
■ Label roll	external diameter 300 mm, core diameter 76 mm	
■ Print technology	thermodirect or thermotransfer (Optional) printing speed max. 150 mm/s (250 mm/s optional) printing resolution 8 dots/mm (12 dots/mm optional) printing width 80 mm (104 mm optional)	
■ Packaging size	GLM-E40/50 min. 40 mm (l) x 40 mm (w) x >1 mm (h) – max. 400 mm (l) x 300 mm (w) x 250 mm (h) GLM-E 70 min. 40 mm (l) x 40 mm (w) x >1 mm (h) – max. 300 mm (l) x 300 mm (w) x 250 mm (h)	
■ Weighing range	6 kg 1 g, 6 kg 2 g, 3/6 kg / 1 g/2g, (optional 12 kg 2 g), 15 lb 0,01 lb, 15 lb 0,005 lb, (optional 30 lb 0,01 lb)	
■ Housing	aluminium frame	
■ Basic machine	3 belt units, single-piece or divided	
■ Dimensions	2005 mm (l) x min. 516 mm (w) – max. 916 mm (w) x max. 1824 mm (h)	



Members of the Bizerba Group

Bizerba GmbH & Co. KG
Wilhelm-Kraut-Straße 65
72336 Balingen
Germany
Tel. +49 7433 12-0
Fax +49 7433 12-2696
marketing@bizerba.de
www.bizerba.com

Bizerba (U.K.) Limited
Bizerba House
Eastman Centre
Eastman Way
Hemel Hempstead
Herts HP 2 7 DU
U.K.
Tel. +44 1442 24-0751
Fax +44 1442 2313-28
sales@bizerba.co.uk

Bizerba USA Inc.
31 Gordon Road
Piscataway
New Jersey 08854
USA
Tel. Office +1 732 565-6000
Tel. Service +1 732 565-6001
Fax +1 732 819-0429
us.info@bizerba.com
www.bizerbausa.com

Bizerba Canada Inc.
2810 Argentia Road #9
Mississauga,
Ontario L5N 8L2
Canada
Tel. +1 905 816-0498
Fax +1 905 816-0497
sales@bizerba.ca
www.bizerba.ca

Bizerba South East Asia
Pte. Ltd.
1 Fifth Avenue #02-05
Guthrie House
Singapore 268802
Singapore
Tel. +65 6465-1900
Fax +65 6468-0481
bizerba@bizerba-sea.com
www.bizerba-sea.com